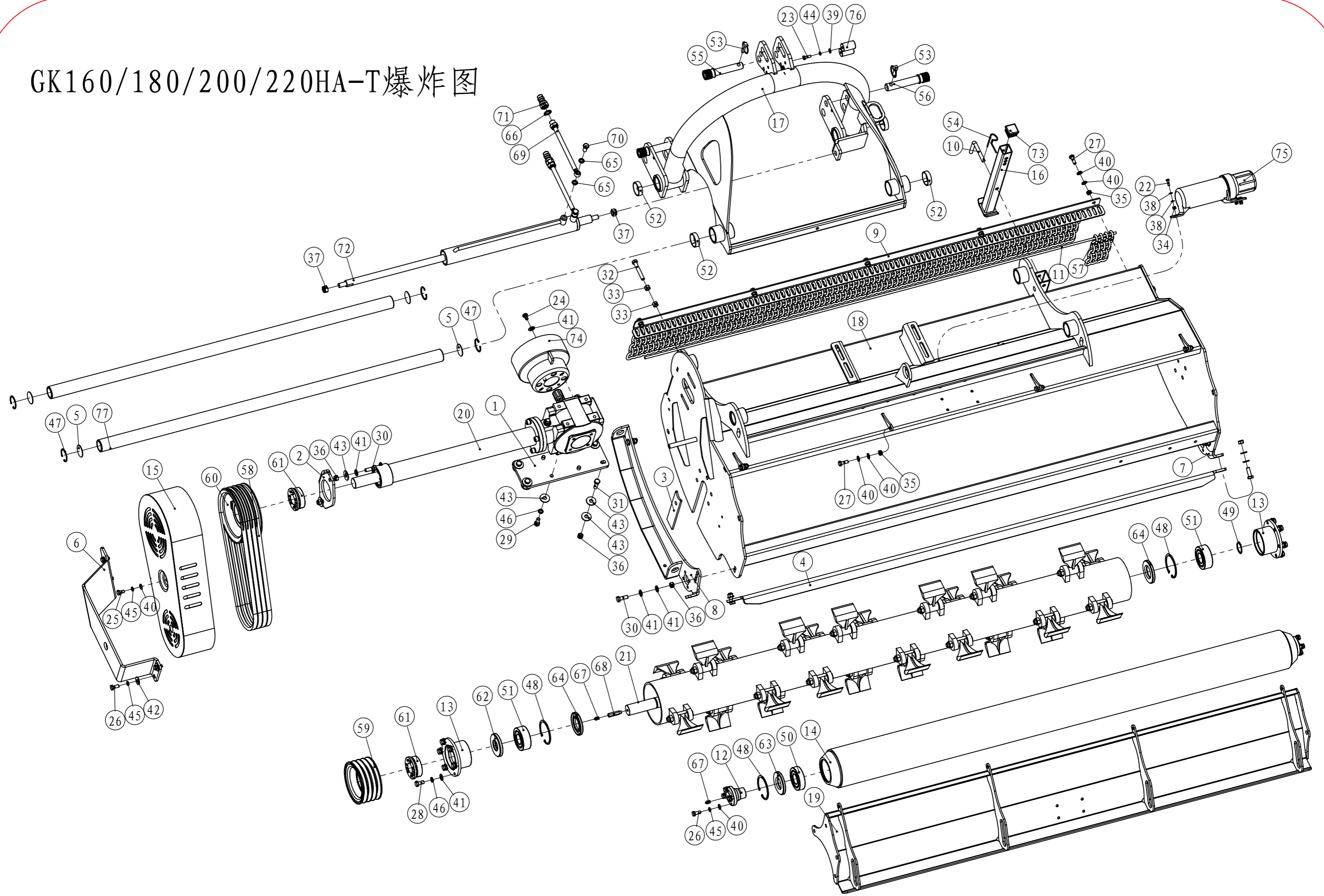


GK160/180/200/220HA-T爆炸图



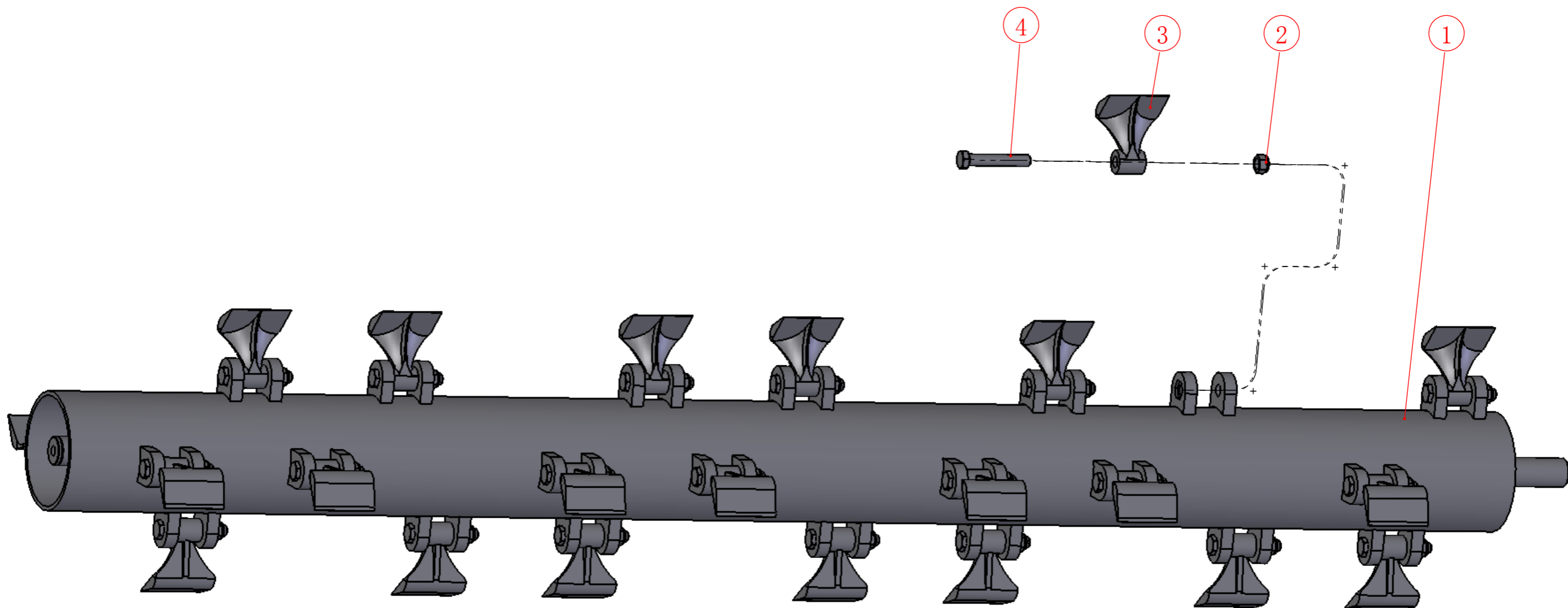
GK160HA/T-GK220HA/T Part Lists

Ser No.	E10 code	Part No.	Description	Qty	Remark
1	2000000071	GK200-110	Gearbox mounting plate	1	
2	2000000072	GK200-105	Rotary shaft fixed plate	1	
3	2000000073	GK200-107	Guard plate	1	
4	2000000074	GK160-104	Mud scraper	1	GK160HA-T
	2000000075	GK180-104	Mud scraper	1	GK180HA-T
	2000000076	GK200-104	Mud scraper	1	GK200HA-T
	2000000077	GK220-104	Mud scraper	1	GK220HA-T
5	2000000114	GK200-108	Sealing plate	4	
6	2000000115	GK200-113	Anti-collision plate	1	
7	2000000672	GK200-101A	Skid I	1	
8	2000000673	GK200-102A	Skid II	1	
9	2000000676	GK160-107A	Chain board	1	GK160HA-T
	2000000677	GK180-107A	Chain board	1	GK180HA-T
	2000000678	GK200-107A	Chain board	1	GK200HA-T
	2000000679	GK220-107A	Chain board	1	GK220HA-T
10	2010000017	EF175-116	Support pin	1	
11	2010000050	GK160-103	Chain pin	1	GK160HA-T
	2010000051	GK180-103	Chain pin	1	GK180HA-T
	2010000052	GK200-103	Chain pin	1	GK200HA-T
	2010000053	GK220-103	Chain pin	1	GK220HA-T
12	2010000506	GK200-103A	Roller shaft	2	
13	2020000165	L.TRE220-015	Bearing seat welded joint(L/F)	2	
14	2020000168	GK160-012	Roller welded joint	1	GK160HA-T
	2020000169	GK180-012	Roller welded joint	1	GK180HA-T
	2020000170	GK200-012	Roller welded joint	1	GK200HA-T
	2020000171	GK220-012	Roller welded joint	1	GK220HA-T
15	2020000176	GK200-016	Pulley cover welded joint	1	
16	2020000177	GK200-020	Support welded joint	1	
17	2020000178	GK200-013	Hitch welded joint	1	
18	2020001412	GK160-011A-T	Hood welded joint(thicken)	1	GK160HA-T
	2020001413	GK180-011A-T	Hood welded joint(thicken)	1	GK180HA-T
	2020001414	GK200-011A-T	Hood welded joint(thicken)	1	GK200HA-T
	2020001415	GK220-011A-T	Hood welded joint(thicken)	1	GK220HA-T
19	2020001400	GK160-017A	Panel welded joint	1	GK160HA-T
	2020001401	GK180-017A	Panel welded joint	1	GK180HA-T
	2020001402	GK200-017A	Panel welded joint	1	GK200HA-T

	2020001403	GK220-017A	Panel welded joint	1	GK220HA-T
20	2090000152		GK transmission assembly(JCTT gearbox)	1	
21	2090000139		GK160 general blade shaft+hammer blade	1	GK160HA-T
	2090000138		GK180 general blade shaft+hammer blade	1	GK180HA-T
	2090000137		GK200 general blade shaft+hammer blade	1	GK200HA-T
	2090000136		GK220 general blade shaft+hammer blade	1	GK220HA-T
22	3040100007	GB/T 5783-2000	Full Thread of Hexagonal Head BoltM6×20	3	
23	3040100024	GB/T 5783-2000	Full Thread of Hexagonal Head BoltM8×25	2	
24	3040100039	GB/T 5783-2000	Full Thread of Hexagonal Head BoltM10×16	2	
25	3040100041	GB/T 5783-2000	Full Thread of Hexagonal Head BoltM10×20	1	
26	3040100043	GB/T 5783-2000	Full Thread of Hexagonal Head BoltM10×25	12	
27	3040100045	GB/T 5783-2000	Full Thread of Hexagonal Head BoltM10×30	9	
28	3040100065	GB/T 5783-2000	Full Thread of Hexagonal Head BoltM12×25	12	
29	3040100067	GB/T 5783-2000	Full Thread of Hexagonal Head BoltM12×30	4	
30	3040100069	GB/T 5783-2000	Full Thread of Hexagonal Head BoltM12×35	8	
31	3040100071	GB/T 5783-2000	Full Thread of Hexagonal Head BoltM12×40	4	
32	3040100079	GB/T 5783-2000	Full Thread of Hexagonal Head BoltM12×80	1	
33	3050100007	GB/T 41-2000	Hexagon nutM12	2	
34	3050500002	GB/T 889.1-2000	Lock nut M6	3	
35	3050500004	GB/T 889.1-2000	Lock nut M10	9	
36	3050500007	GB/T 889.1-2000	Lock nut M12	12	
37	3050500009	GB/T 889.1-2000	Lock nut M16	2	
38	3080100003	GB/T 95-2002	Flat washer 6×1.6	6	
39	3080100004	GB/T 95-2002	Flat washer 8×1.6	2	
40	3080100006	GB/T 95-2002	Flat washer 10×2	29	
41	3080100007	GB/T 95-2002	Flat washer 12×2.5	28	
42	3080200009	GB/T 96.2-2002	Big gasket 10×2.5	2	
43	3080200010	GB/T 96.2-2002	Big gasket 12×3	14	
44	3080500007	GB/T 93-1987	Spring washer 8	2	
45	3080500008	GB/T 93-1987	Spring washer 10	13	
46	3080500009	GB/T 93-1987	Spring washer 12	16	
47	3080600031	GB 893.1-86	circlip for hole--type A 48	4	
48	3080600050	GB 893.1-86	circlip for hole--type A 90	4	
49	3080700026	GB 894.1-86	circlip for shaft--type A 40	1	
50	3100200009	GB/T 281-94	Self-aligning ball bearing 1308	2	
51	3100200011	GB/T 281-94	Self-aligning ball bearing 2308	2	
52	3101100003	48x3x15	POM guiding ring 48x3x15	4	

53	3120400007	11*45	Lock pin-colored zinc	3	
54	3120400008	3.5	R pin-colored zinc	1	
55	3120500019	GK200-111	Upper hitch type II	1	
56	3120500020	GK200-112	Lower hitch type II	2	
57	3130100025	GK200-106A	8x47x30 Grass defencing chain(6 segments)	72	GK160HA-T
	3130100025	GK200-106A	8x47x30 Grass defencing chain(6 segments)	81	GK180HA-T
	3130100025	GK200-106A	8x47x30 Grass defencing chain(6 segments)	90	GK200HA-T
	3130100025	GK200-106A	8x47x30 Grass defencing chain(6 segments)	99	GK220HA-T
58	3160300014	3D belt	BCRI BX-1295.4	4	
59	3160400022	SPB-167-4	Small pulley	1	
60	3160400024	SPB-219-4	Big pulley	1	
61	3160500007	Z6-40-80	Expanding sleeve 40x80	2	
62	3170100023	GB/T 13871.1-2007	TC oil sealing 40x90x12	1	
63	3170100036	GB/T 13871.1-2007	TC oil sealing 45x90x10	2	
64	3170100041	GB/T 13871.1-2007	TC oil sealing 50x90x10	2	
65	3170300001	BS/A13.70(G1/4)	Composite gasket (automatic centering)	4	
66	3170300006	BS/A21.50(G1/2)	Composite gasket (automatic centering)	2	
67	3170400005	G1/8	Grease nipple	4	
68	3170400009	GK200-114	Nipple joint	1	
69	3180200255	G.US145H-107	Long hose(1900 with nylon sleeve)	2	
70	3180300009	G1 / 4	Hollow bolt	2	
71	3180500001	G1 / 2	Quick hitch(male)	2	
72	3181300031	F.2S.M165-104	Cylinder assembly	1	
73	3210200004	BCR140-114	Square pipe plug 41x41	1	
74	3210300003	EF175.127	PTO dust cover(no LOGO)	1	
75	3210300013	Holder+Lip+Shim (No Logo)	Manual holder	1	
76	3210500035	LSQ-S1 MDC-1/2M	Joint (male)	2	
77	3230100010	GK200-101	Slider	2	

GK普通刀轴+锄头刀片 (标配)



MENASOR160HA/180HA/200HA/220HA Ordinary blade shaft+Hammer blade part list

Ser No.	E10 code	Part No.	Description	Qty	Remark
1	2020000179	GK160-015	Blade welded joint	1	GK160HA
	2020000180	GK180-015	Blade welded joint	1	GK180HA
	2020000181	GK200-015	Blade welded joint	1	GK200HA
	2020000182	GK220-015	Blade welded joint	1	GK220HA
2	3050500009	3050500009	Lock nut M16	22	GK160HA
	3050500009	3050500009	Lock nut M16	24	GK180HA
	3050500009	3050500009	Lock nut M16	26	GK200HA
	3050500009	GB/T 889.1-2000	Lock nut M16	28	GK220HA
3	3220100025	EFB175-139	New Hammer Blade	22	GK160HA
	3220100025	EFB175-139	New Hammer Blade	24	GK180HA
	3220100025	EFB175-139	New Hammer Blade	26	GK200HA
	3220100025	EFB175-139	New Hammer Blade	28	GK220HA
4	3040300061	GB/T 5782-2000	Half-threaded hexagonal bolts M16×95(Grade 10.9) Blacken	22	GK160HA
	3040300061	GB/T 5782-2000	Half-threaded hexagonal bolts M16×95(Grade 10.9) Blacken	24	GK180HA
	3040300061	GB/T 5782-2000	Half-threaded hexagonal bolts M16×95(Grade 10.9) Blacken	26	GK200HA
	3040300061	GB/T 5782-2000	Half-threaded hexagonal bolts M16×95(Grade 10.9) Blacken	28	GK220HA